

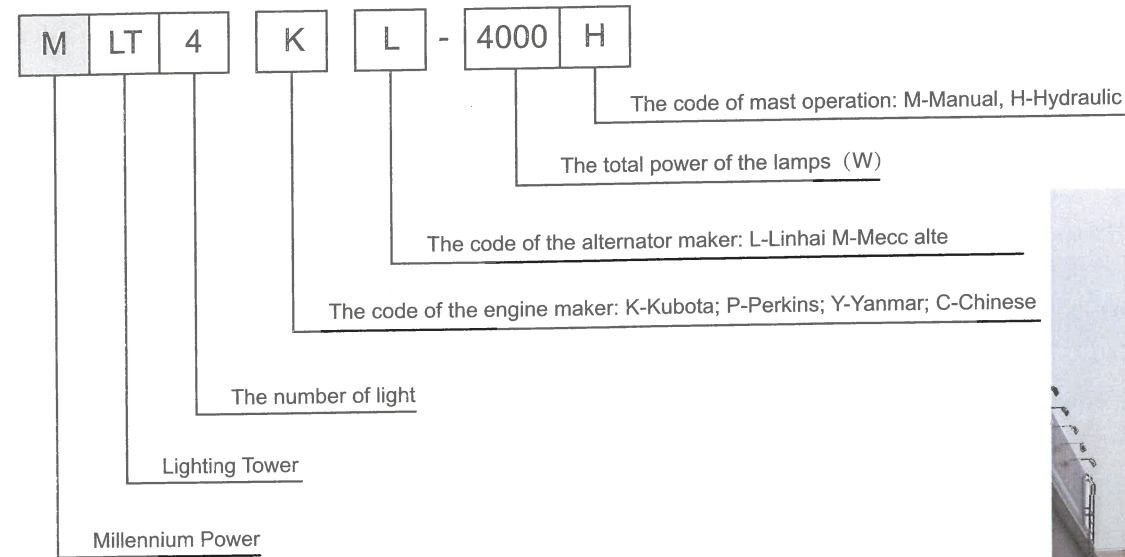
Lighting Towers

MLT4-4000H Series

MPMC's MLT4-4000H compact mobile lighting tower provides lighting anywhere you need: Construction, Emergency, Industrial, Public facility repairing, Mining, Civil Engineering and Event Lighting. The metal-halide lamps will provide light coverage for over 4200 square meters.



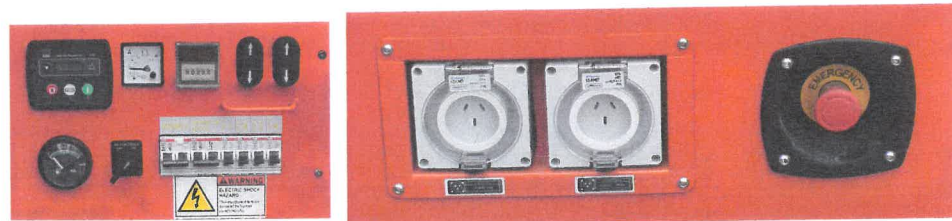
Model Instruction



Light Tilt

The adjustment of light tilt through a DC electric handspike. The user can simply press a button to adjust the tilt of light according to the environment. Humanity design to meet customer requirements

General Features



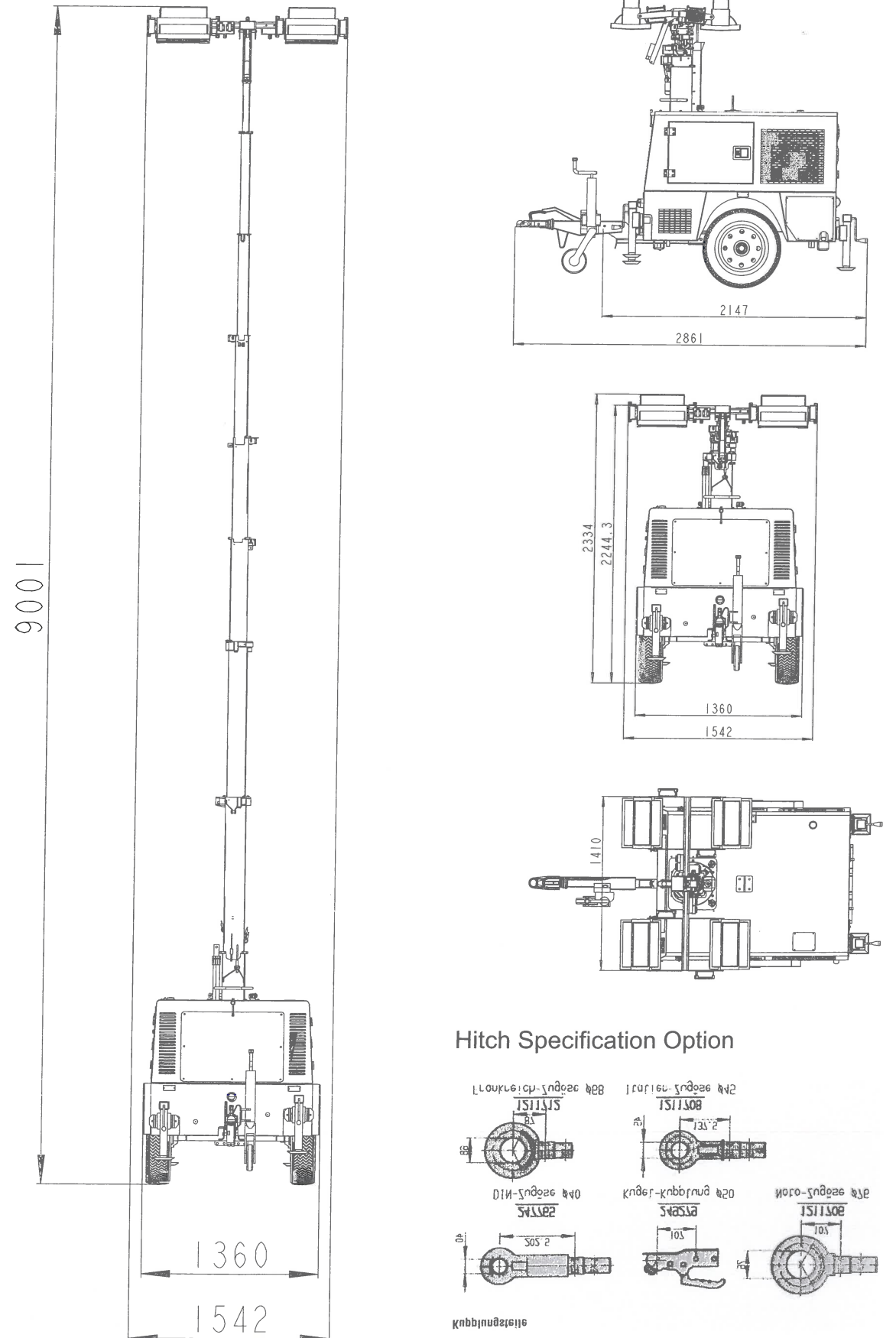
- The excellent-quality and multi-fault protection generator with the low-emission diesel engine and brushless alternator can power all lights stably and continuously.
- The galvanized mast and powder coated canopy suit the outdoor environment for a long time.
- The heavy-duty muffler and the soundproof canopy make the noise level under 65dB(A) at 7 meters away.
- The lights are IP65 protective class.
- The lights can be adjusted manually at the non-lifting position, each light can be rotated 180°
- The mast can be rotated 359°
- The 2PCS External IP44 output sockets will power other equipments and electric tools whenever.
- The outside emergency stop button can easy stop the gensets whenever.
- The simple and clear indication and operating mark on the control panel.
- Using deepsea controller (DSE3110) to manually start or stop the genset, control each light independently just by its own individual switch.
- The hydraulic one-way valve with electric controlling can make the hydraulic ram keep any position for long time
- Four manual legs of individual operation are able to support stably and reliably even on rough ground, so the lighting tower can also work in the 8 grade windy weather.
- The AL-KO rubber Torsion axle suspension system is suitable for variously rough road and its maintenance-free axis's service life will be at least 20 years.



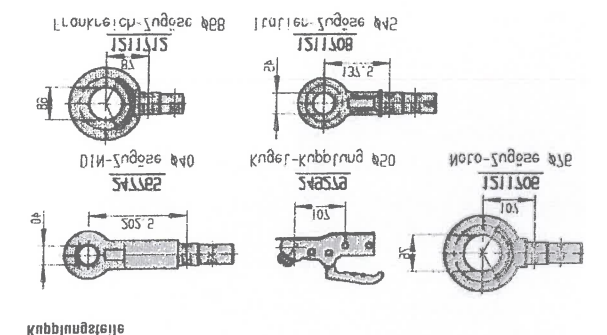
DC electric handspike



MLT4-4000H Dimensions



Hitch Specification Option



Lighting Towers

MLT4-4000H Series

MLT4-4000H Dimensions

Product Model	MLT4-4000H							
Length (mm)	2861 (2260, dismantle the tow bar)							
Width (mm)	1542							
Height (mm)	2334							
Mast Height(Fully Extended)	9m							
Weight (net)	1150 kg							
Engine Brand	Kubota		Yanmar		Perkins		MPMC	
Engine model	D1105		3TNV76		4030-11G		3800	
Frequency (Hz)	50	60	50	60	50	60	50	60
Speed (rpm)	1500	1800	1500	1800	1500	1800	1500	1800
Continued Power (kVA)	7	9	7	9	7	9	7	9
Number of Cylinders	3							
Diesel Engine Characters	4 cycle, In line, Water cooled Diesel							
Combustion Type	Precombustion		Indirect Injection		Indirect Injection		Direct Injection	
Engine Aspiration	Natural							
Emission Level	Stage3	Tier4	Stage3	Tier4	Stage2	Tier4	NA	Tier4
Alternator Brand	Mecc alte / Linhai							
Alternator Model	LT-130/4 / TOCO-6.5							
Frequency (Hz)	50	60	50	60	50	60	50	60
Continued Power (kVA)	6.5	7.5	6.5	7.5	6.5	7.5	6.5	7.5
Alternator	Brushless & Single phase							
Rating Voltage (V)	230							
Alternator Insulation	H							
Fuel Tank Capacity	135 liters (35 US Gallons)							
Fuel Tank Operating Hours	65 hours							
Type of Lights	Metal Halide Floodlight (Chinese Brand)							
Number & Power of Lights	4×1000W							
Mast Lifting & Extension	Hydraulic operation							
Number of Mast Section	8							
Mast Rotation	359° Manual operation							
Light Tilt	Electric operation (90°)							
Mast Base Support	90°Vertically							
Trailer Suspension System	rubber Torsion axle (Al-ko)							
Braking System	Inertia drum braking with stable towing height, parking brake							
Hitch	Ball / O ring							
Tire Rim Size	14"							
Output Socket	2PCS(230V, 10A)							
Acoustic Pressure	65dB(A) at 7 meters away							
Load Capacity for 40'GP (Units)	8							

Option Equipment	
Light Brand	GEWISS (Famous Brand)
Braking System	Inertia drum braking with adjustable towing height, parking brake
Cold Weather Starting Kit	Kubota/Yanmar/Perkins/Chinese
Steel plate spring trailer	Chinese Brand
Mining Configuration	Chinese Brand

Lighting Towers

VENUS Cantilever Series

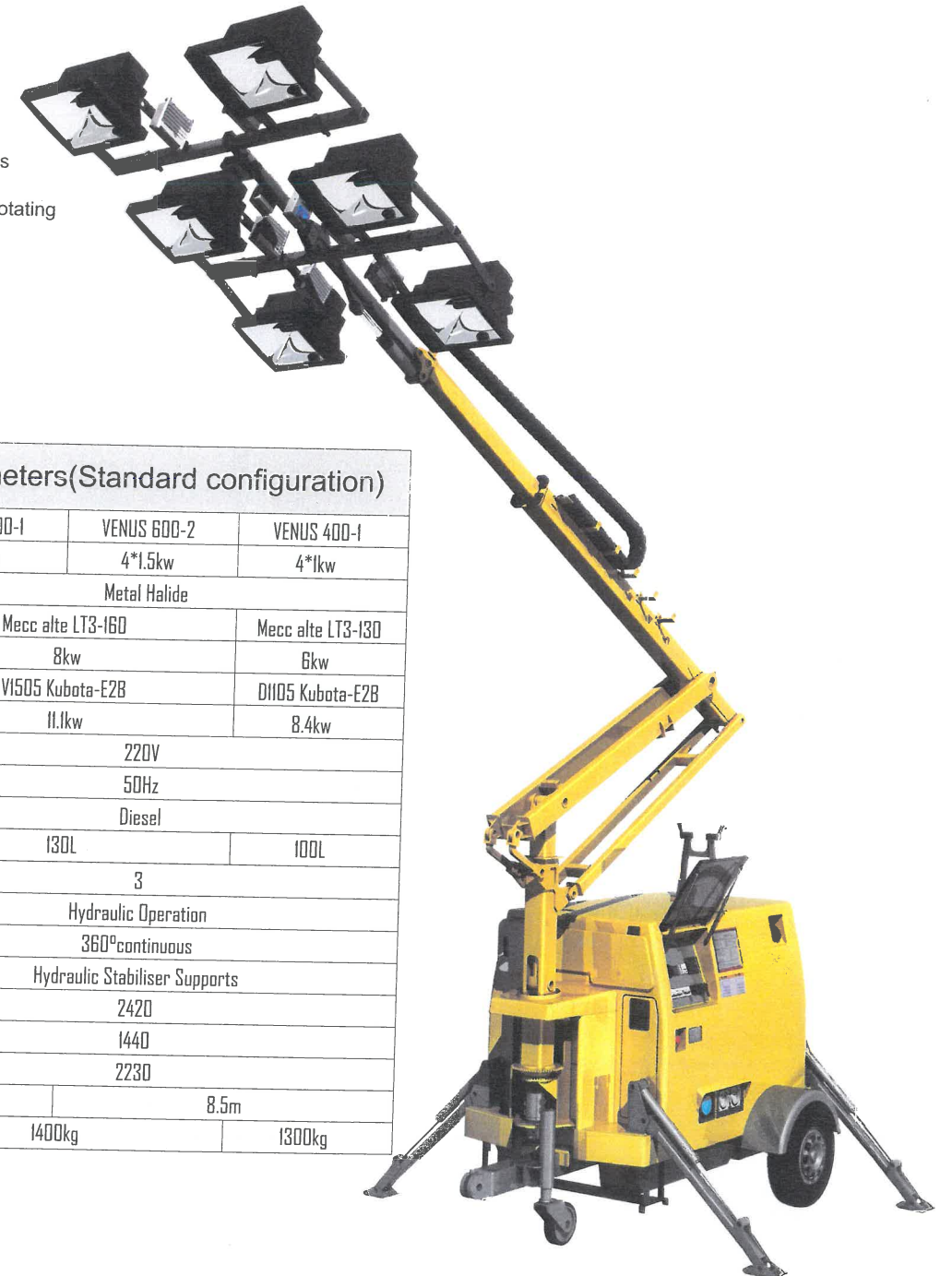
Designed to move and transport

New VENUS series Mobile Lighting Towers are equipped with SAF-ELCO tow tractor and have a lower center of gravity, so they can be easily towed on road.

2420*1440*2230mm overall dimension can meet the requirement of 8 units contained in 40GP. Meanwhile, it can also be transported in three smaller parts (trailer, operation unit, canopy), which will sharply save the shipping costs for long distance transportation.

Features:

- 4*1.5kw/ 6*1kw metal halide lights
- 9m fully extension
- Hydraulic controlled raising and rotating
- Refuel out of the cover
- Easy operate
- 360°continuous rotating
- Real compact design



VENUS Series Parameters(Standard configuration)

Type	VENUS 600-1	VENUS 600-2	VENUS 400-1
Lights	6*1kw	4*1.5kw	4*1kw
Type of Lights	Metal Halide		
Alternator	Mecc alte LT3-160		Mecc alte LT3-130
Power	8kw		6kw
Engine	V1505 Kubota-E2B		D1105 Kubota-E2B
Continued Power	11.1kw		8.4kw
Volts	220V		
Hz	50Hz		
Fuel	Diesel		
Fuel Capacity	130L		100L
Power Outlets	3		
Mast Raise/ Extension	Hydraulic Operation		
Rotation	360°continuous		
Supports	Hydraulic Stabiliser Supports		
Length(mm)	2420		
Width(mm)	1440		
Height(mm)	2230		
Height(fully extended)	9m	8.5m	
Weight(kg)	1400kg		1300kg