

Perfection is the Goal

General Lighting: Security Lighting/Area Lighting

DIMENSIONS

LENGTH : 311mm
 WIDTH : 52mm
 HEIGHT : 52mm
 WEIGHT: 500 gram

LED LIGHT ENGINE

- High quality LM80 Certify Chip
- Rated Life of 50,000+ hrs
- Operation temp: -30 °C to +40 °C
- 70-80% saving compare to LPS/HPS

QUALIFICATION

- CE: Recognition with CNAS
- Patent No.: ZL 2012 2 0633084.9
- ISO 14001: Recognition with IAF & CNAS
- ISO 9001: Recognition with IAF & CNAS

APPEARANCE

- Material: Die Cast Aluminum
- Light Color option: 5700/4000/2700K
- LENS/Cover: Transparent PC Cover
- IP65

ELECTRICAL CHARACTERISTICS

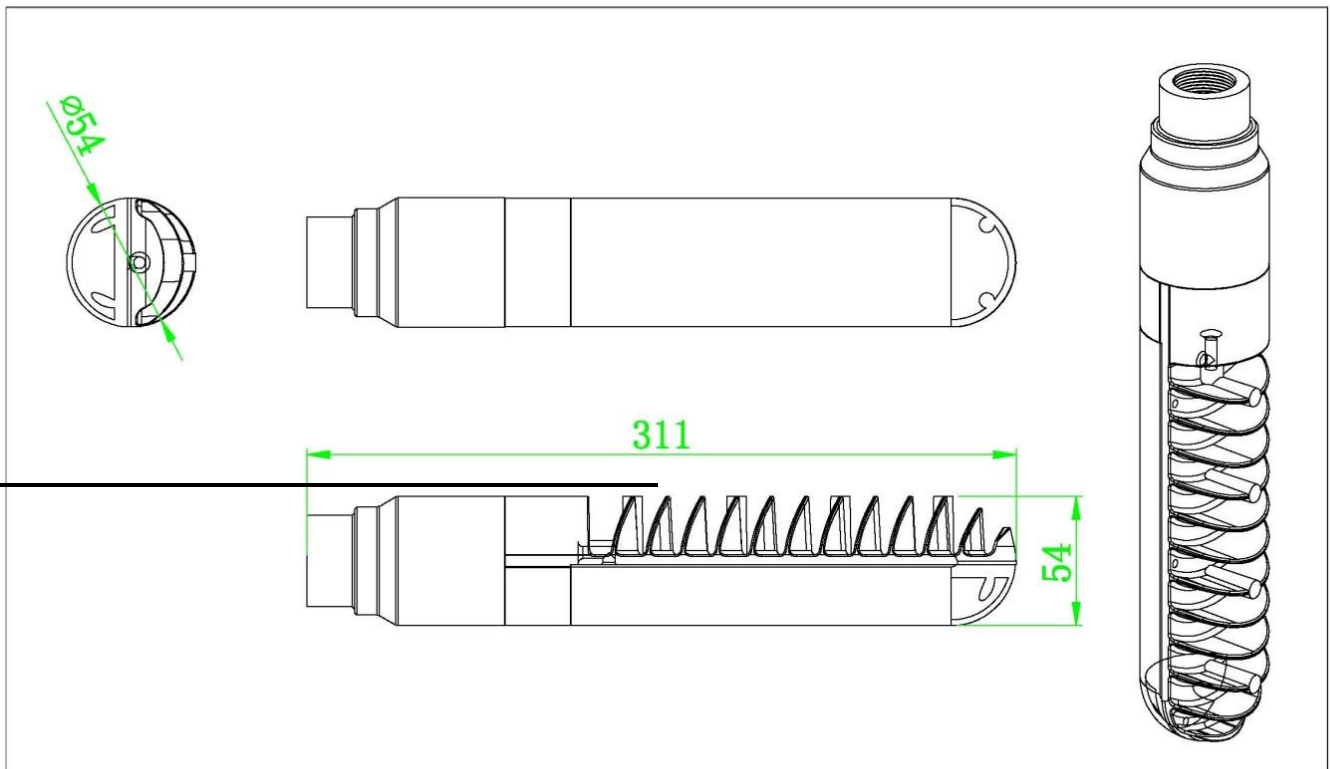
- Wide AC input: 100-277 VAC
- 12/24VDC option Available
- Power Factor: ~0.9
- Total Harmonic Distortion: < 10%
- Surge protection: IEC/EN 61000-4-5
ANSI/UL 1993
- ANSI/EMC test standard

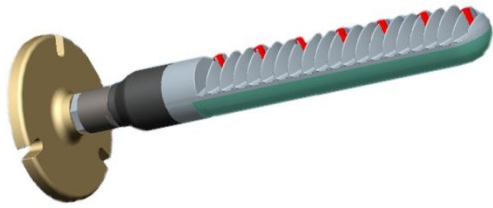


ITEM NO.	DESCRIPTION	TOTAL POWER	NOMINAL LUMENS	DRIVE CURRENT	# OF LEDS	SYSTEM EFFICACY
CES-B22-20-IP65	replace LPS/HPS 60-70 watts,	20	2,000	350 mA	16	100 LM/W

INSTALLATION

- Wall mount





Perfection is the Goal

General Lighting: Security Lighting/Area Lighting

DIMENSIONS

LENGTH : 425mm
 WIDTH : 52mm
 HEIGHT : 52mm
 WEIGHT: 750 gram

LED LIGHT ENGINE

- High quality LM80 Certify Chip
- Rated Life of 50,000+ hrs
- Operation temp: -30 °C to +40 °C
- 70-80% saving compare to LPS/HPS

QUALIFICATION

- CE: Recognition with CNAS
- Patent No.: ZL 2012 2 0633084.9
- ISO 14001: Recognition with IAF & CNAS
- ISO 9001: Recognition with IAF & CNAS

APPEARANCE

- Material: Die Cast Aluminum
- Light Color option: 5700/4000/2700K
- LENS/Cover: Transparent PC Cover
- IP65

ELECTRICAL CHARACTERISTICS

- Wide AC input: 100-277 VAC
- 12/24VDC option Available
- Power Factor: ~0.9
- Total Harmonic Distortion: < 10%
- Surge protection: IEC/EN 61000-4-5
ANSI/UL 1993
- ANSI/EMC test standard



ITEM NO.	DESCRIPTION	TOTAL POWER	NOMINAL LUMENS	DRIVE CURRENT	# OF LEDS	SYSTEM EFFICACY
CES-B22-28-IP65	replace LPS/HPS 90-100 watts,	28	2,800	350 mA	24	100 LM/W

INSTALLATION

- Wall mount



DIMENSION

